



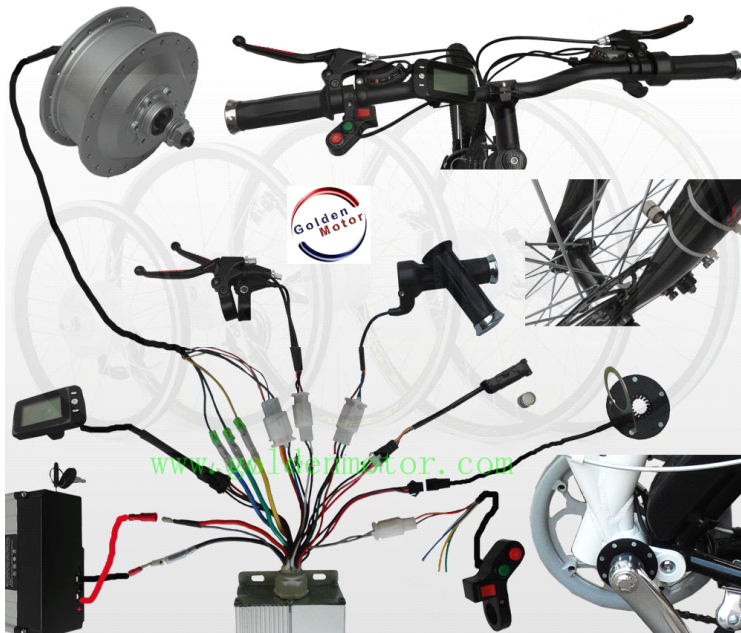
Originality, Innovation, Creation

Details of new PRO-KIT 902

Overview



Wire Connection



Contents

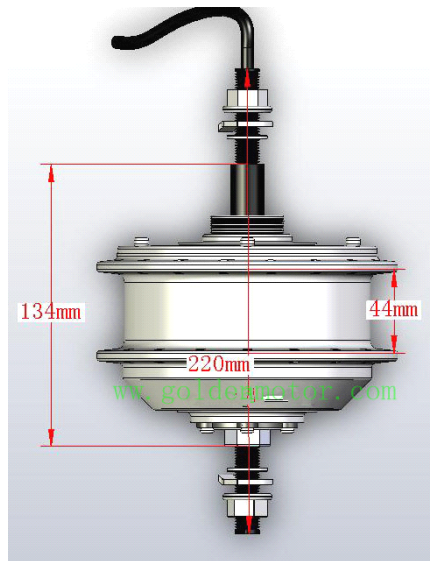
1. 36V250W Mini Motor(Brushless&Gear)
2. 6-MOSFET LCD controller 36V
3. LCD displayer with speed signal wire
4. Twist Throttle with Battery gauge
5. Brake Levers
6. Cruise control function
7. Pedelec
(20"24"26"700'C28" Spoked Double Wall Rim)
Battery and charger excluded
Max Speed:25km/h(24V)34km/h(36V)
Gross Weight: 6.5kg
Measurement:
53cm*24cm*53cm(20")
58cm*24cm*64cm(24"/26")
70cm*24cm*66cm(700c/28")

Main Feature

- Hub motor: brushless geared dc motor
- Controller: LCD display
- Mechanical brake: Disk
- Install: spacing of 135mm rear fork and 100mm front fork

Specification

1.24v 250W/36V250W Mini Motor(Brushless&Gear)



Detail:

- Motor type: brushless geared dc motor
- Voltage: 36V
- Power: 250W
- Efficiency: $\geq 78\%$
- RPM: 276
- Mechanical brake: Disk - brake
- Cable location: shaft end, right
- Cable length: 110cm / 43"
- Noise: < 60 db
- Surface: silver painted
- Net weight: 2.9kgs

2.6-MOSFET LCD controller 24V/36V



Detail:

- Suitable for Electric for electric bike & scooter
- Rated Voltage: DC 36 Volts/
- Rated power: 250 Watts
- Min. Voltage: DC 30 ± 0.5 V
- Casing material: aluminium
- Maximum Current: 14 A \pm 1 Amps
- Thermal: aluminum shell and the substrate

- 3 phase 120° brushless motor
- Operating Conditions: -20~45 °C
- Waterproof design
- Size: 82 mm L \times 53 mm W \times 31 mm H
- Weight: 0.4 kg

Working with LCD

Display: speed, mileage, battery gauge...

Functions:

- Mute when start
- Speed limit
- Power cut brake
- Blockage protection
- Current limit protection
- E-ABS brake
- Short circuit protection
- Avoid out of control
- 1:1 pedal assist function
- Undervoltage protection

Additional features:

- * Cruise
- * Reverse
- * Regen brake
- * Pedal assist (1 - 5)
- * Mph / kmh
- *



3. Twist Throttle with Battery gauge



Detail:

Hall voltage: 0~5V

Cable length: 1800mm / 70"

Red Switch: can control forward / backward, cruise, front & rear lights..

Three LED: 36V DC (Green, yellow and red leds)

Six Wires: Red, black, white for throttle

Yellow and brown for "ON/OFF" switch

Green for LED

Material: ABS + PVC

Color: black

Used for: electric bike, scooter, tricycle..

Package Content:

1 36V twist throttle

Net Weight: 0.3kg / 0.66 lbs

Package Size: 20.5 cm L × 15.5 cm W × 6.5 cm H / 8" L × 6" W × 2.6" H

Package Type: Cardboard Box

4. Brake Levers



Detail:

Cable length: 1800mm / 70"

Wire correspond: 2wires for mechanism switch

2*0.3mm², red & black

Material: bracket ABS+Lever alloy

Color: silver

Used for: electric bike, scooter, tricycle..

Package Content:

1 brake lever

Net weight: 0.28kg / 0.62 lbs

Package Size: 20.5 cm L × 15.5 cm W × 6.5 cm H / 8" L × 6" W × 2.6" H

Package Type: Cardboard Box

5. Cruise control function



Detail:

Cable length: 1800mm / 70"

Wire correspond: 2wires for mechanism switch
2*0.3mm², red & black

Material: bracket ABS+Lever alloy

Color: silver

Used for: electric bike, scooter, tricycle..

Package Content:

1 brake lever

Net weight: 0.28kg / 0.62 lbs

Package Size: 20.5 cm L × 15.5 cm W × 6.5 cm H /
8" L × 6" W × 2.6" H

Package Type: Cardboard Box

6. Pedelec



Detail:

WHAT'S INCLUDED

Pedal assist sensor – with attachment ring, sensor and cable connector for your controller

Magnetic ring – ring to be attached to pedal crank, with high power magnets for the sensor

Magnet: 8 pcs

Cable length: 100cm / 39 inch

Wire correspond: 3 * 0.3 mm² wires (Brown:
+4.5V , black: - , yellow: signal)

Material: ABS

Color: black

Package Content: 1 x PAS-002 Pedelec

Net Weight: 0.04 kg / 0.9 lbs

Package Size: 20.5 cm L × 15.5 cm W × 6.5 cm H /
8" L × 6" W × 2.6" H

Package Type: Cardboard Box